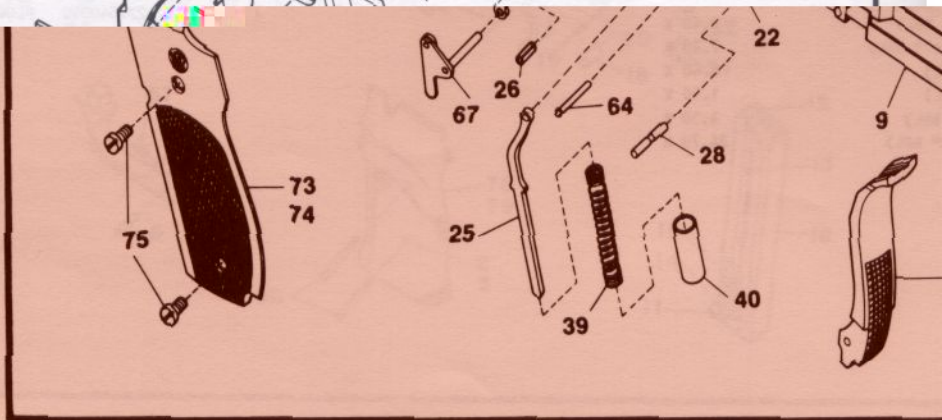
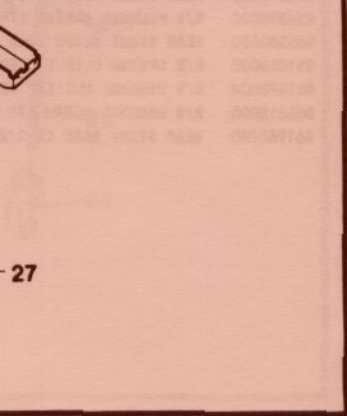
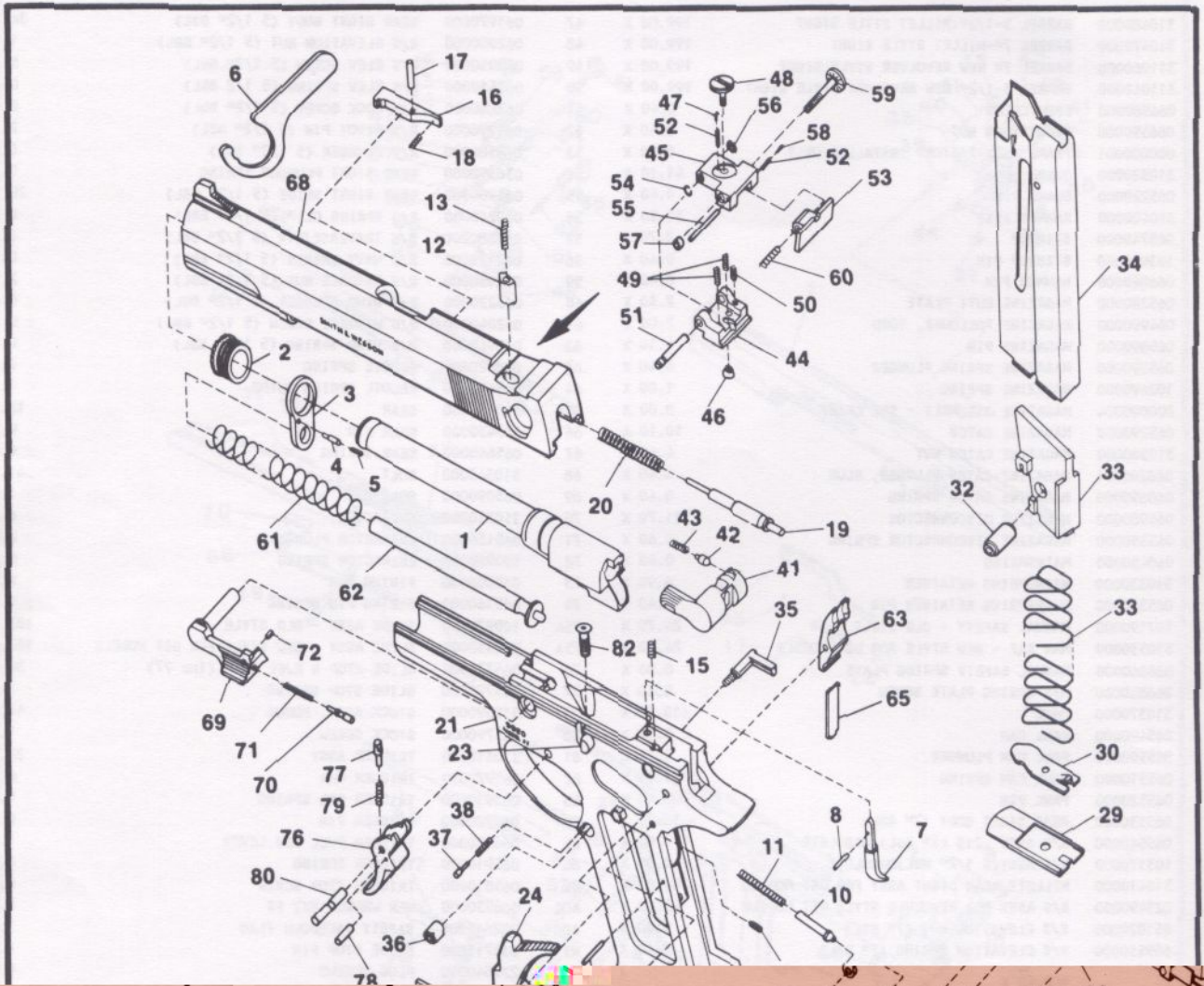


MODEL NO. 52-2

.38 MASTER PISTOL



EXPLODED VIEW DIAGRAM.